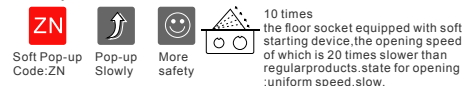




BF PU01-1010-AA

Features:

1. Easy to install: Fast connect wire for terminal block as fast wiring connection.
2. More Strong Scratch Resistance: Surface finish made from Brass (h62) by combination of tough material, Aluminum (6061).
3. Durable socket receptacle: Using elastic phosphor copper, high conductivity, pulling and plugging over 15000 times. PC +ABS fireproof: 850 degree C temp.; Oxygen Insulation & Fire resistance in accordance with UL94 standard.
4. Long lifetime of push button: ,more than 5000 times of push button.
5. More soft and slow damping device: The damping speed of our device is 10 times slower than similar products. Our damping have been patented
6. More heavy duty of bottom boxes: Thickness of bottom boxes body is over 1mm.

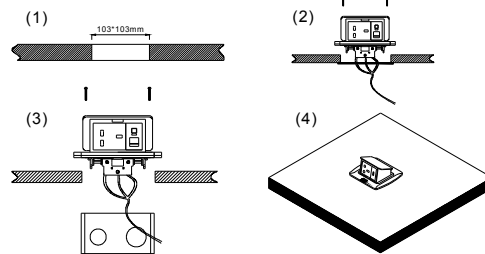


Technical Parameters :

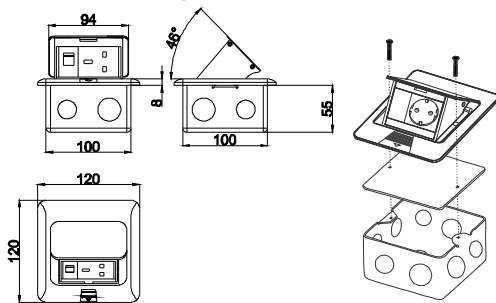
Parameter	Description
Panel Material	Brass alloy/Alu alloy
Surface finish	Wire drawing/Polishing/Spray painting
Panel Dimension(mm)	120*120
Cutout(mm)	103x103
Capacity of modules	3 ways modules
Bracket material	Zinc Alloy & Alu Alloy
Sink box Material	Steel+Zinc plated
Sink box Thickness:	1.2mm
Available modules:	45*45/45*22.5(mm)
Damping device (DP):	Normal Pop-up & Soft Pop-up available
N.W(kg)	1.00 (Brass alloy);0.76(Alu alloy)
G.W(kg)	20.8 (Brass alloy);15.8(Alu alloy)
Carton size(cm)	41.5x27x27

Installation Guide

1. Cut out size: 103*103mm. Install the bottom box with panel into the specified location.
2. Screw mounting frame and panel (for desktop only).
3. Fix the panel and bottom box with screws (This item is for ground installation only).
4. Adjust the tightness of all wiring lines (no influence on opening).



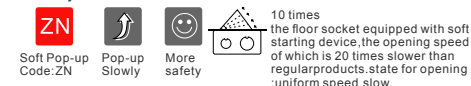
Outline Drawing: Unit:mm



BF PU01-1010-SS

Features:

1. Easy to install: Fast connect wire for terminal block as fast wiring connection.
2. More Strong Scratch Resistance: Surface finish made from Brass (H62) by combination of tough material, Aluminum (6061).
3. Durable socket receptacle: Using elastic phosphor copper, high conductivity, pulling and plugging over 15000 times. PC +ABS fireproof: 850 degree C temp.; Oxygen Insulation & Fire resistance in accordance with UL94 standard.
4. Long lifetime of push button: ,more than 5000 times of push button.
5. More soft and slow damping device: The damping speed of our device is 10 times slower than similar products. Our damping have been patented
6. More heavy duty of bottom boxes: Thickness of bottom boxes body is over 1mm.

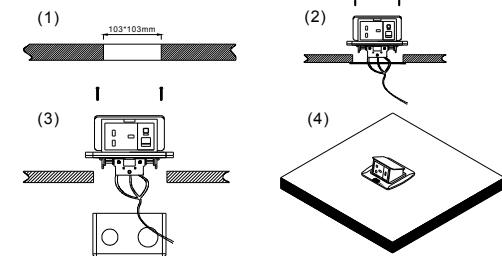


Technical Parameters :

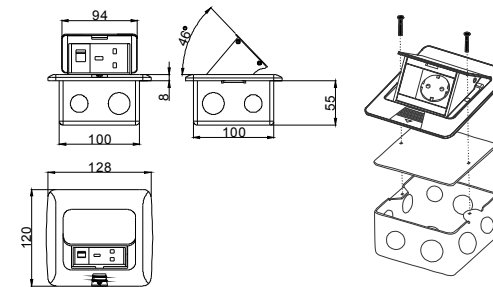
Parameter	Description
Panel Material	Brass alloy/Alu alloy
Surface finish	Wire drawing/Polishing/Spray painting
Panel Dimension(mm)	128*120
Cutout(mm)	103*103
Capacity of modules	3 ways modules
Bracket material	Zinc Alloy & Alu Alloy
Sink box Material	Steel+Zinc plated
Sink box Thickness:	1.2mm
Available modules:	45*45/45*22.5(mm)
Damping device (DP):	Normal Pop-up & Soft Pop-up available
N.W(kg)	1.00 (Brass alloy);0.76(Alu alloy)
G.W(kg)	20.8 (Brass alloy);15.8(Alu alloy)
Carton size(cm)	41.5x27x27

Installation Guide

1. Cut out size: 103*103mm. Install the bottom box with panel into the specified location.
2. Screw mounting frame and panel (for desktop only).
3. Fix the panel and bottom box with screws (This item is for ground installation only).
4. Adjust the tightness of all wiring lines (no influence on opening).



Outline Drawing: Unit:mm





BF PU01-1414-SS

Features:

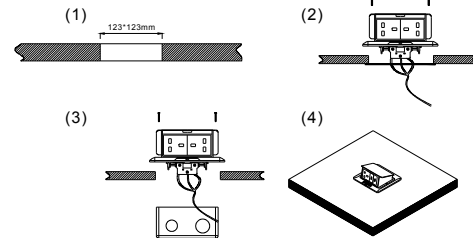
- 1.Easy to install: Fast connect wire for terminal block as fast wiring connection.
2. More Strong Scratch Resistance: Surface finish made from Brass by combination of tough material, Aluminum (ADC12) .
3. Durable socket receptacle:Using elastic phosphor copper , high conductivity ,pulling and plugging over 15000 times. PC +ABS fireproof : 850 degree C temp. , Oxygen Insulation & Fire resistance in accordance with UL94 standard.
4. Long lifetime of push button: ,more than 5000 times of push button.
5. More soft and slow damping device:The damping speed of our device is 10 times slower than similar products.Our damping have been patented
6. More heavy duty of bottom boxes:Thickness of bottom boxes body is over 1mm.

Technical Parameters :

Parameter	Description
Panel Material	Brass alloy/Alu alloy
Surface finish	Wire drawing/Polishing/Spray painting
Panel Dimension(mm)	154*146
Cutout(mm)	123x123
Capacity of modules	4 ways modules
Bracket material	Zinc Alloy & Alu Alloy
Sink box Material	Steel+Zinc plated
Sink box Thickness:	1.2mm
Available modules:	45*45/45*22.5(mm)
Damping device (DP):	Normal Pop-up & Soft Pop-up available
N.W(kg)	1.50 (Brass alloy);1.20(Alu alloy)
G.W(kg)	18.6 (Brass alloy);14.6(Alu alloy)
Carton size(cm)	49x32x22

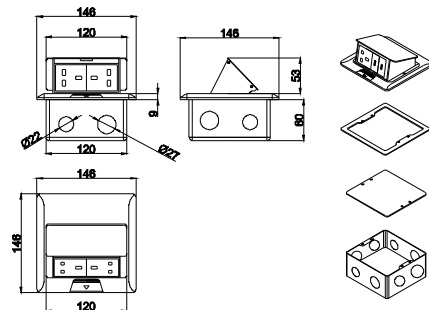
Installation Guide

- 1.Cut out size:123*123mm. Install the bottom box with panel into the specified location.
- 2.Screw mounting frame and panel(for desktop only).
- 3.Fix the panel and bottom box with screws(This item is for ground installation only).
- 4.Adjust the tightness of all wiring lines (no influence on opening).



Soft Pop-up Code:ZN
 Pop-up Slowly
 More safety
 10 times the floor socket equipped with soft starting device, the opening speed of which is 20 times slower than regular products. state for opening :uniform speed,slow.

Outline Drawing: Unit:mm



BF PU01-1212-SS

Features:

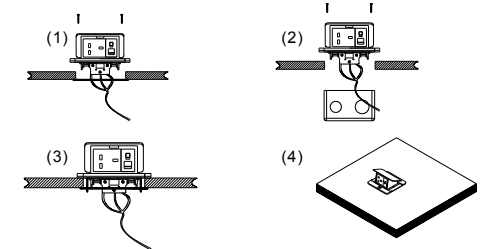
1. Easy to install: Fast connect wire for terminal block as fast wiring connection.
2. More Strong Scratch Resistance: Surface finish made from Brass by combination of tough material, Aluminum (ADC12) .
3. Durable socket receptacle:Using elastic phosphor copper , high conductivity ,pulling and plugging over 15000 times. PC+ABS fireproof : 850 degree C temp. , Oxygen Insulation & Fire resistance in accordance with UL94 standard.
4. Long lifetime of push button: ,more than 5000 times of push button.
5. More soft and slow damping device:The damping speed of our device is 10 times slower than similar products.Our damping have been patented
7. More heavy duty of bottom boxes:Thickness of bottom boxes body is over 1mm.

Technical Parameters :

Parameter	Description
Panel Material	Brass alloy
Surface finish	Wire drawing/Polishing/Spray painting
Panel Dimension(mm)	120*120
Cutout(mm)	103x103
Capacity of modules /Interface size	3 ways modules
Bracket material	Zinc Alloy & Alu Alloy
Sink box Material	Steel+Zinc plated
Sink box Thickness:	1.2mm
Available modules:	45*45mm or 45*22.5mm
Damping device (DP):	Normal Pop-up & Soft Pop-up available

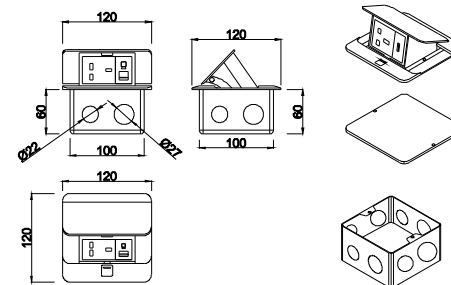
Installation Guide

1. Swing out from its floor mounted frame thru a spring attached finger level. Outlet bracket is attached to its pop up cover .
- 2.Remove panel from the bottom box along with the electrical modules.
- 3.Remove lid surface ,Insert the 10--12mm lead head into the terminal of floor box.
- 4.Fix the flooring with spare screws on bottom box and place it in embedded hole



Soft Pop-up Code:ZN
 Pop-up Slowly
 More safety
 10 times the floor socket equipped with soft starting device, the opening speed of which is 20 times slower than regular products. state for opening :uniform speed,slow.

Outline Drawing: Unit:mm



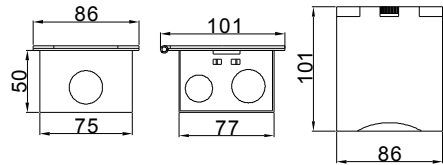


BF 5113-FS

Features:

- Nice appearance and safety design for floor management:** Stepped edge brass is available in plain polished (W) or antique bronze (ABZ) or simple polished rope edge(K) or standard soft edge in brushed (BR) or polished (PS) stainless steel. All with a choice of white or black interiors.
- Safety design:** Flush mount box of 1 Gang white insert under shaver Sockets. Surface seamless design and dust and impurities be protect into inside.
- Easy to Install:** Simple design as shaver sockets with spring loaded lid and supplied flush mount box with M3.5 X 30mm fixing screws.
- More Strong Scratch Resistance:** Surface finish made from stainless steel or Brass by combination of tough material, Aluminum (ADC12).
- Ultra slim panel only with thickness of 4mm;**
- Good socket receptacle materials increase service life:** Using elastic phosphor copper avoids playing spark plug and plug set to bit dead. Ensure high conductivity and more life of pulling and plugging over 15000 times.
- More heavy duty of bottom boxes:** Thickness of bottom boxes is over 1mm.

Outline Drawing: Unit:mm

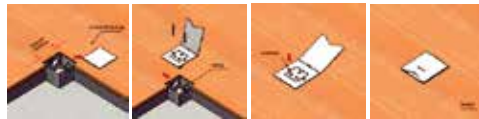


Technical Parameters :

Parameter	Description
Panel Material	Brass alloy/Stainless-Steel
Surface finish	Wire drawing/Polishing/Spray painting
Panel Dimension(mm)	86*101
Cutout(mm)	74.3x77
Capacity of modules	2 ways modules
Sink box Material	Steel+Zinc plated
Sink box Thickness	1.0mm
Inner box Size(mm)	10.5x6.5x10.5
Outer box Size(mm)	54x34x23
Available modules	45*45/45*22.5(mm)
N.W(kg)	0.44 (Brass alloy);0.43(Alu alloy)
G.W(kg)	23 (Brass alloy);22.4(Alu alloy)
Carton size(cm)	54x34x23

Installation Guide

- Cut out: insert sink box or floor box into flooring material
- Dispose receptacle:Gently press the outlet and lift the lid to reveal the module inside. (Another way is to open the lid directly to expose the functional module).
- Wiring: Insert the 10--12mm lead head into the terminal block.
- Fix:Fix the flooring with spare screws on bottom box through embedded hole.

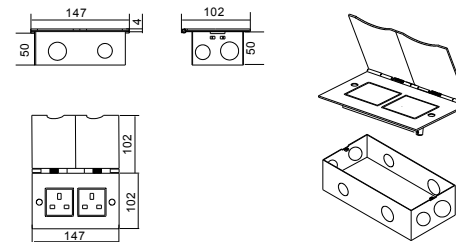


BF 5213

Features:

- Nice appearance and safety design for floor management:** Stepped edge brass is available in plain polished (W) or antique bronze (ABZ) or simple polished rope edge(K) or standard soft edge in brushed (BR) or polished (PS) stainless steel. All with a choice of white or black interiors.
- Safety design:** Flush mount box of 1 Gang white insert under shaver Sockets. Surface seamless design and dust and impurities be protect into inside.
- Easy to Install:** Simple design as shaver sockets with spring loaded lid and supplied flush mount box with M3.5 X 30mm fixing screws.
- More Strong Scratch Resistance:** Surface finish made from stainless steel or Brass by combination of tough material, Aluminum (ADC12).
- Ultra slim panel only with thickness of 4mm;**
- Good socket receptacle materials increase service life:** Using elastic phosphor copper avoids playing spark plug and plug set to bit dead. Ensure high conductivity and more life of pulling and plugging over 15000 times.
- More heavy duty of bottom boxes:** Thickness of bottom boxes is over 1mm.

Outline Drawing: Unit:mm



BF 5213-02

Technical Parameters :

Parameter	Description
Panel Material	Brass alloy/Stainless-Steel
Surface finish	Wire drawing/Polishing/Spray painting
Panel Dimension(mm)	147*102
Cutout(mm)	134.5x77
Capacity of modules	4 ways modules
Sink box Material	Steel+Zinc plated
Sink box Thickness	1.0mm
Inner box Size(mm)	15.5x11.2x6.6
Outer box Size(mm)	36x33.5x35
Available modules	45*45/45*22.5(mm)
N.W(kg)	0.68 (Brass alloy);0.67(Alu alloy)
G.W(kg)	21.3 (Brass alloy);21.0(Alu alloy)
Carton size(cm)	36x33.5x35

Installation Guide

- Cut out: insert sink box or floor box into flooring material
- Dispose receptacle:Gently press the outlet and lift the lid to reveal the function keys inside.(Another way is to open the lid directly to expose the functional module).
- Wiring: Insert the 10--12mm lead head into the terminal block.
- Fix:Fix the flooring with spare screws on bottom box through embedded hole.





BF WPFS-01-UN

Features:

- The lid was opened at 90 degrees:** Open the cover with the ground 90 degrees, furthermore , open and ground into a 180 degree flat is also available. When using, open the cover horizontally to the floor to avoid accident potential and product damage caused by cover erection.
- Simple installation:** Hinged cover with screw fix to steel box body.
- The outlet way of the line can be chosen, DK type cable exit or HK type cable exit:** The outlet port (reverse) can lead multi-strand wire cable out of the floor socket and effectively protect the wire cable skin against damaging. This cord outlet flaps fold down when in use to all cords out with main cover closed.
- More Strong Scratch Resistance:** Surface finish made from stainless steel or Brass by combination of tough material, Aluminum (ADC12) and shot blast finish on the surface achieves high scratch resistance.
- durable socket receptacle:** Using elastic phosphor copper avoids playing spark plug and plug set to bit dead , ensure high conductivity and more life of pulling and plugging over 15000 times.
- Good sealing:** With temporary lid-secure to body during pour to prevent ingress of slurry.
- Power-coated steel box** has 10*25mm conduit and diameter of 27mm diameter knock-outs available to accommodate CAT 6A cabling available on request.

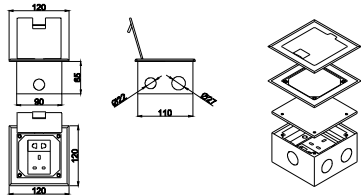
Technical Parameters :

Parameter	Description
Panel Material	Brass alloy/Stainless steel
Surface finish	Wire drawing/Polishing/Spray painting
Panel Dimension(mm)	120*120
Cutout(mm)	113x113
Capacity of modules	3 ways modules
Side Mounting type	HTD-120CK for Mounting ST optical fiber or SC optical fiber
Horizontal mounting	Horizontal installation
Sink box Material	Steel+Zinc plated

Installation Guide

- Remove the panel from the bottom box along with the electrical modules.
- Fix the flooring with spare screws on the bottom box and place it in the embedded hole.
- The flooring surface shall be at least level with the ground or 20mm below the ground.
- Remove flooring surface ,insert the 10--12mm lead head into the terminal of floor box.
- Fix the panel to the bottom box with screws.

Outline Drawing: Unit:mm



BF ONDE-02-UB-BK

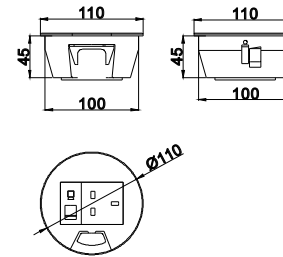
Features:

- Easy installation:** Round shape to die out hole and save labor cost.
- More durable:** The material of socket product body is from high quality zinc alloy by process of pressure casting as integration design. It be high intensity so more durable.
- More anti corrosion** under heavy humidity environment: Surface of product is processed by power painting .
- More safety :** Complete closed plastic bottom case and with conduit of cord .

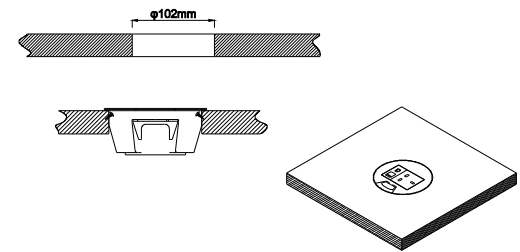
Technical Parameters :

Parameter	Description
Panel Material	Zinc alloy
Bottom box Material	Engineering PC
Socket material	Phosphor copper
Panel Dimension(mm)	Ø110
Cutout(mm)	Ø102
Base box dimension	Ø110*45
Capacity of modules / Interface size	3 ways 128 type(36*36mm)modules
Available Structure	Round/ Without coverplate/ Concealed installation
Available modules	Type 45

Outline Drawing: Unit:mm



Installation Guide





BF INDE-03-UB-BK

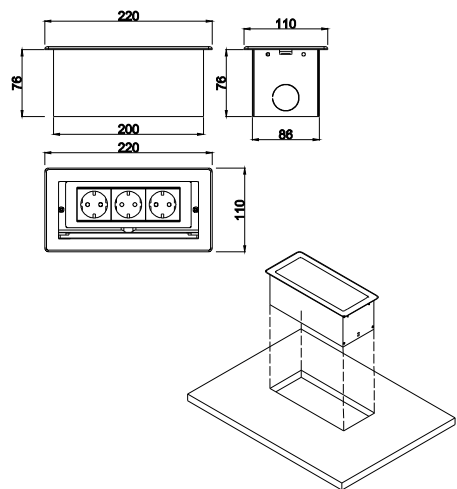
Features:

1. **Open hidden structure:** Open coverplate when used and the plate is embedded into socket body inside.
2. With plastic bottom boxes;
3. Applicable for wide range of 45*45mm modules of power socket and intelnet data.

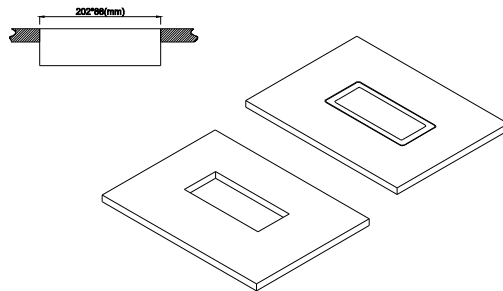
Technical Parameters :

Parameter	Description
Panel Material	Aluminum alloy
Surface finish	Electroplated/Painted/Power sprayed
Panel Dimension(mm)	220*110
Cutout(mm)	201x90
Height of product(mm)	85
Bottom box size(mm)	200*86*76
Bottom box material	Plastic
Capacity of modules / Interface size	6 ways
Configuration	Power outlet+Data outlet or USB charging : Customized as required
Cable length	1.5m, 2m,2m or required length
Available modules	45*45mm Type series

Outline Drawing: Unit:mm



Installation Guide



BF POPU-02-UB

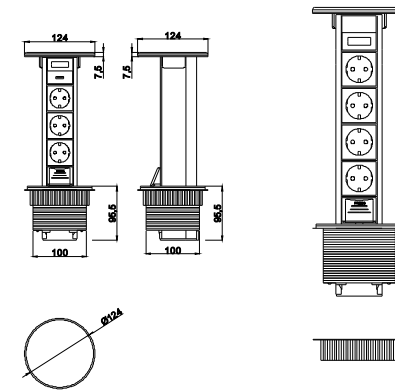
Features:

1. Upside-down installation possible. Connection is simple and made on the pop up socket in upper position . The unit is then hidden under the desktop, enabling the modules to come out push& pull the opening.
2. Enables the connection of 8 modules.
3. Suitably installed into 120mm grommet hole.
4. Casting made from aluminum and solid plastic.
5. Suitable for desk tops up to 50mm;
6. Coming with hardwired starter-or interlink cable. Also available with 2.5mm internal wiring.

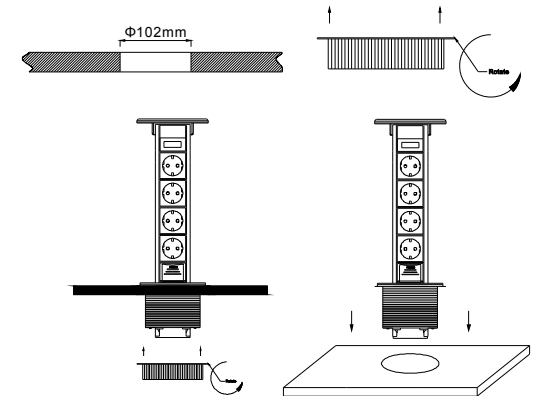
Technical Parameters :

Parameter	Description
Material	Aluminum 6063, PC zinc alloy
Panel Material	Stainless/Brass
Surface finish	Painted/Oxygenated
Panel Dimension(mm)	φ124
Cutout(mm)	Φ102
Dimension of product(mm)	380
Capacity of modules /Interface size	8 ways 45*45mm modules
Configuration	Power outlet+Data outlet or USB charging : Customized as required
Cable length	1.5m, 2m,3m or required length
Available modules	45*45mm Type series

Outline Drawing: Unit:mm



Installation Guide



BF Range



BF POLE-02-UB

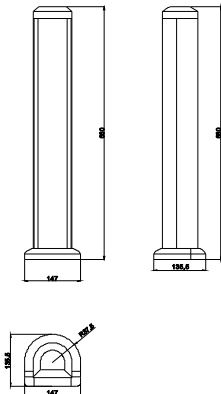
Features:

1. Simplicity: The column is secured to the ceiling or floor by pressure, no need for screwing to the ground or the ceiling.
2. Installation mobility: The columns are secured by pressure on the floor. They do not have to be bolted to the floor and it is therefore very easy to reconfigure the distribution of workplaces.
3. Compact: The mini-columns are supplied all necessary materials for installation: foot for floor attachment, top and side covers and fastenings.
4. Customization solution: Flush-mount power supply or power supply through floor trunking are optional; two shape of oval or square is optional; different configuration and electrical sockets and plates is optional;
5. 2 side (Rear face& front face) power supply;

Technical Parameters :

Parameter	Description
Brand	Safewire
Side for power supply	Two side
Panel Material	Aluminum alloy
Surface finish	Painted/Brushed Oxygenated
Height of product(mm)	350 for FZ-532A
Height of product(mm)	660 for FZ-532B
dimension (mm)	R73.5*147*135.3
Capacity of modules	45*45mm modules
Configuration	Power outlet+Data outlet ot : Customized +HDMI+VGA+Audio socket USB charging as required

Outline Drawing: Unit:mm



Installation Guide

